

AIR OPERATED CRIMP MACHINE - LPR3225E



Description

Adjustment screw for crimp setting
8 or 6 Segment Dies
Crimp diameter up to 30 mm
Steel table with holes for fixtures etc.
Pneumatic operation
Simple design
Minimal maintenance
Cycle activation with a button and detection of hose/socket.

Technical data

Max crimp diameter: 30 mm
Height dies: 25 mm
Socket type: Sheet metal
Socket material: Alum. or steel
Cycle time: approx. 2 seconds
Air connection: 6 bar, R 3/4"
Electric conn: 1x230V, 10A, 50 Hz



Aluminium socket for tuner application



Steel socket for fuel application



This air-operated crimp machine is intended for high volume of crimping products where an open press or high force is not required.

Tuner or bulb sockets for the power steering, air condition, brake and fuel hose assemblies are the typical applications this crimper is most suitable. Simplicity is the objective of designing this machine, simple to use, simple to install and simple to maintain. The crimp dimension can be easily and precisely adjusted with a screw.

The crimp head (39 mm thick) and machine table are designed and manufactured to accommodate different types of fixtures.

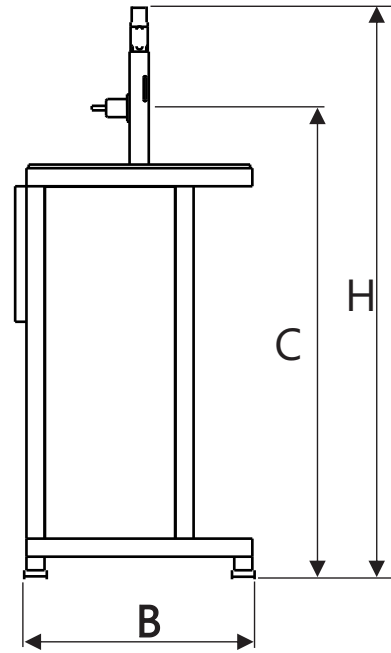
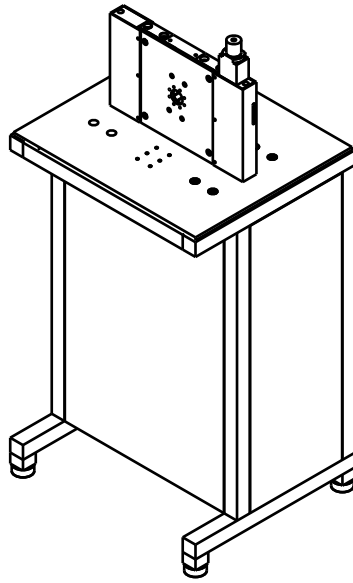
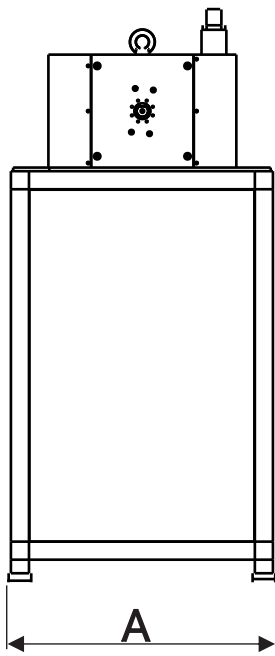
The cycle is initiated by pressing a mushroom button combined with external sensors for hose and socket detection. This provides a safe system with high quality results.



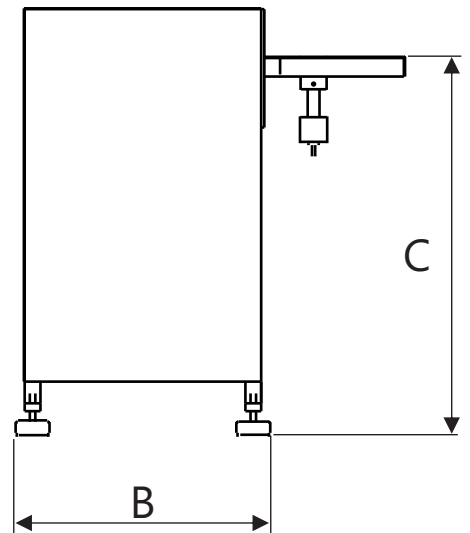
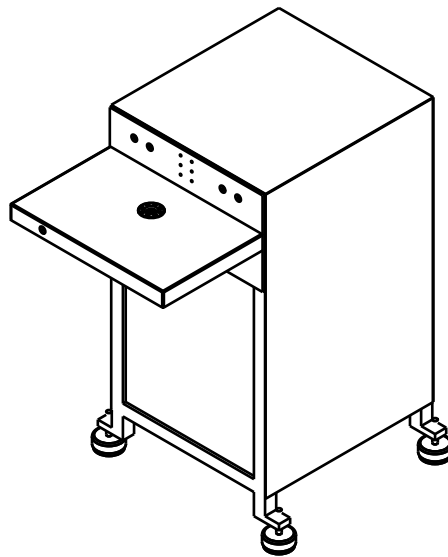
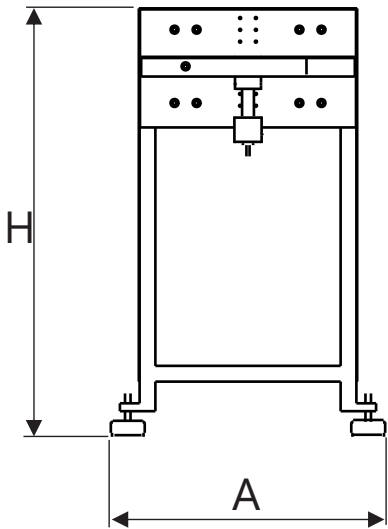
FLUID TECH MACHINES INC.
203 Echelon Road
Greenville, SC 29605
USA

Phone: (864) 277-2271
E-mail: info@fluidtechmachines.com
Website: www.fluidtechmachines.com

LPR3225E



LPR3225EH



| Model | A | B | C | H |
|-----------|-----|-----|------|------|
| LPR3225E | 600 | 525 | 1040 | 1270 |
| LPR3225EH | 550 | 600 | 960 | 1090 |